

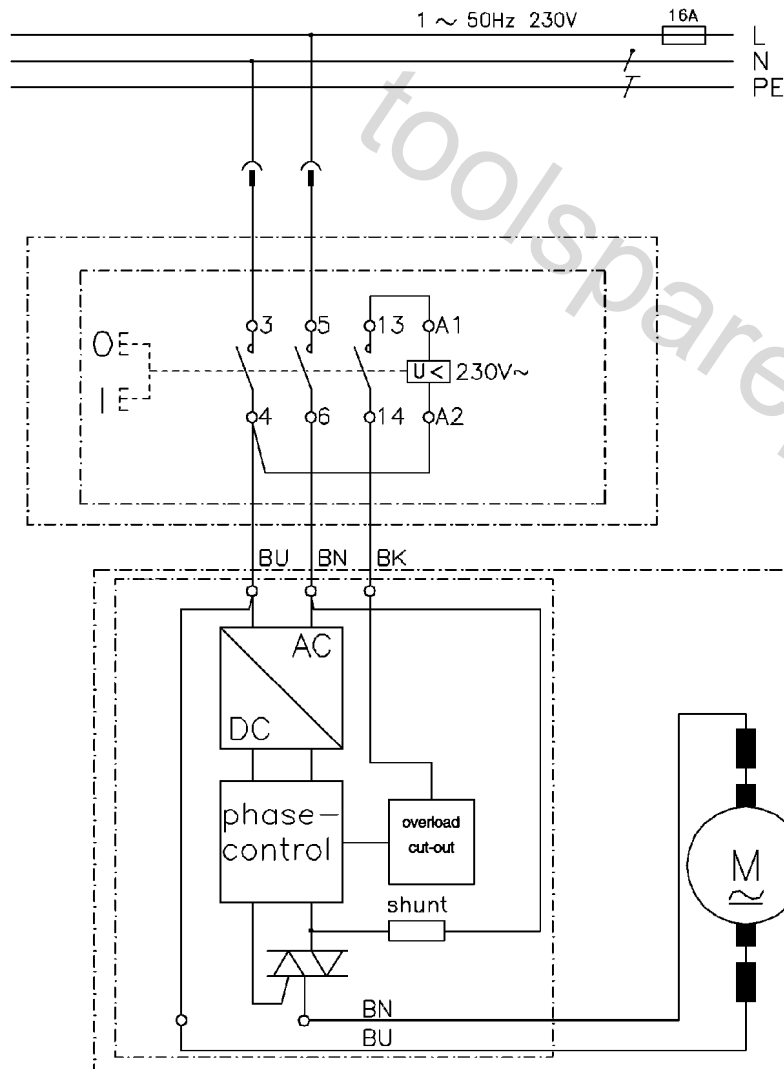
Position	Amount	Type number	Description	PG
1	1	6121000839	Cap screw	10
2	1	1482221900	BLADE COLLAR, OUTER	17
3	1	1485221618	Blade collar, inner	23
4	1	6401701620	CIRCLIP FOR BORES	13
5	2	7123148635	STEEL BALL RD 7,938	10
6	2	6132661454	HEX.SOCKET COUNTERS.HEAD SCREW	10
7	1	1482221595	RIVING KIFE PLATE	12
8	1	1482221587	RIVING KNIFE	26
9	1	1010698878	SAW BLADE GUARD WITH SUCTION PORT	33
10	1	1385701558	POSITIONING SCREW	17
11	1	1380698273	RIVING KNIFE CARRIER UK333	22
12	1	1482701503	RIVING KNIFE CARRIER	29
13	8	6103001178	Hex head screw	10
14	4	7053075104	CUP SPRING	10
15	1	1382701247	FASTENING PLATE	19
16	1	1382701280	COVER PLATE	22
17	1	7233680626	POLY-RIB BELT	22
18	1	1385701302	TIE BOLT	26
19	4	6143661561	Fillister head screw w.flange	10
20	1	1380698320	GEARBOX ENCLOSURE UK333	47
21	1	1482681839	Spindle lock	14
22	3	141150020	Washer	10
23	7	6172015687	CROSS REC'D PAN HEAD TAP.SCREW	10
24	3	7051074232	TENSION SPRING	12
25	1	141180060	RETAINING RING	10
26	1	1385701205	Intermediate shaft	30
27	1	7247701235	GEARWHEEL RD 30,5 Z=20 UK333	28
28	14	6209114230	Flange nut	10
29	1	7231680580	COGGED BELT	26
30	1	1382701263	COVER PLATE	14
31	1	1010701631	ELECTRIC MOTOR	62
32	1	1381707411	LID, TERMINAL BOX UK333	14
33	1	1010710819	CARBON BRUSH SET	31
34	1	1485701229	BUSHING	16
35	1	7100074090	DEEP GROOVE BALL BEARING	20
36	1	1385701213	SAW BLADE SPINDLE	29
37	1	7100083463	DEEP GROOVE BALL BEARING	18
38	1	6400701600	RETAINING RING FOR SHAFTS	12
39	1	141131010	Hexagonal nut	10
40	1	6305713714	WASHER	11
41	2	141113690	Cap screw	12

42	1	1395200611	BEARING BOLT	14
43	1	1385701310	POLY-RIB PULLEY	26
44	1	7100083463	DEEP GROOVE BALL BEARING	18
45	1	141180090	Retaining ring	12
46	1	7100136915	DEEP GROOVE BALL BEARING	19
47	1	1482680670	WASHER	10
48	2	6131714953	HEX.SOCKET COUNTERS.HEAD SCREW	11
49	2	6132175169	Countersunk screw	10
50	8	6121023081	Cap screw	10
51	2	1380221442	SWIVEL SEGMENT	15
52	2	141130090	Hexagonal nut	10
53	4	1485710066	CAM PLATE	14
54	1	1010700766	MOTORHEAD CARRIAGE	48
55	4	2391203906	PLUG-IN BUFFER	10
56	4	7121652050	LINEAR BALL BEARING	28
57	2	1380698245	BEARING BLOCK, RIGHT UK333	35
58	6	6143639612	RAISED CHEESE HEAD SCREW	10
59	1	1381706318	SWIVEL PLATE UK333	16
60	3	1321006635	INSULATING WASHER	10
61	3	6202002291	HEXAGON NUT, PREV. TORQUE TYPE	10
62	2	141150130	Washer	10
64	1	9102689833	ALLEN HEXAGON KEY	16
65	1	6241125058	Knurled nut	12
66	1	1382701069	COVER, SAW BLADE HOUSING	30
67	1	1482701538	GUIDE BRACKET	25
68	2	7051207240	PRESSURE SPRING	10
69	1	6110000594	CUP SQUARE NECK SCREW	10
70	1	1382701085	SAW BLADE HOUSING	37
71	2	6110076574	Truss head screw	10
72	2	2382701359	COVER PLATE	12
73	4	6621010474	BLIND RIVET, MUSHROOM HEAD	10
74	1	1382710025	END CAP	22
75	1	7051710074	TENSION SPRING RD 0,6X5,4X41,2 UK 333	14
76	2	6175174166	THREAD CUTTING SCREW A	10
77	1	7005658068	WING NUT	12
79	1	1482704480	CLAMPING PLATE	28
80	3	1388698264	KNOB, RED	17
81	1	1385701124	Feed rod	29
82	1	1482701112	LEVER	16
83	1	1485707430	HEXAGON FIT BOLT	18
84	2	6720083831	WOODRUFF KEY	10
85	1	1142215647	ANGLE SCALE	16

86	5	141150010	Washer	10
87	14	6209110995	Flange nut	10
88	1	141180030	Retaining ring	10
89	2	1380698214	GEARWHEEL UK333	20
90	1	1485701571	Gear-wheel shaft	28
91	1	1482701368	ANGLE POINTER	20
92	2	6205029131	HEXAGON THIN NUT	10
93	1	6161132754	HEX. SOCKET SET SCREW, FLAT PT	10
95	1	1010723830	BOLT UK 333	31
98	1	141113840	Cap screw	12
99	1	141151940	Washer	10
100	1	6208073395	CAP NUT, SELF-LOCKING	10
101	1	7004076740	CRANK HANDLE RD 21X50/ M 6X13 DREHBAR	20
102	1	7003079524	HANDWHEEL	25
103	7	6127059193	HEXAGON SOCKET HEAD CAP SCREW	10
104	1	1485701334	BUSHING	14
105	2	1382701484	BEARING PLATE	20
106	1	7100010180	DEEP GROOVE BALL BEARING	18
107	1	6720008511	WOODRUFF KEY	10
108	1	1385701566	FEED SPINDLE	28
109	5	6186602763	Fillister head screw w.fill. head screw	10
110	1	1381701324	DUST EXTRACTION PORT UK333	19
111	1	1382701387	ANGLE BRACKET	22
114	1	6123002049	RAISED CHEESE HEAD SCREW	10
115	1	7052222014	SPRING BAND	13
118	2	6205029131	HEXAGON THIN NUT	10
120	1	6104220876	Hex fit bolt	13
121	1	1482701031	Locking lever	20
122	1	7055043684	FLEXIBLE PRESSURE PIECE	19
123	1	1381708299	COVER UK333	18
124	3	1381706881	CABLE BRACKET UK290/333	11
125	1	1394201630	Push stick	19
126	2	1382700976	SIDE-PANEL	31
127	2	1485700885	BUSHING	13
128	4	7057706400	RUBBER FOOT 57,3X13,4X14 SCHWARZ	12
129	2	6110000659	Truss head screw	10
130	5	6110000608	CUP SQUARE NECK SCREW	10
131	1	1382700925	REAR PANEL	39
132	4	6632123360	BOLT A	13
133	4	6110000667	Truss head screw	12
134	4	1485700850	BUSHING	14
135	4	1485700877	BUSHING	16

136	4	7016056183	STARLOCK WITHOUT CAP	10
137	2	1383700848	LEG	30
138	4	6141701671	EYE BOLT	13
139	8	6110015990	Truss head screw	10
140	4	1388701680	SETTING KNOB WITH RED CAP	20
141	1	1382680185	RETAINING CLIP KGT 501	13
142	2	1382687112	CROSSHEAD	26
143	2	6110017942	Truss head screw	10
144	1	1382700895	FRONT PANEL	40
145	1	1382710050	Support plate	30
146	1	8133711512	SWITCH KSK K570 UK333 CH	43
147	1	1381216175	HOLDER,CARRIAGE RETURN SPRING FÜR STOßD	12
148	1	1381216167	VENT END PLUG	12
149	1	8242051328	CABLE CLIP	13
151	1	1485701911	PISTON ROD	20
152	1	1381216183	PISTON, SHOCK ABSORBER	12
153	1	1381707489	PIPE	16
154	1	7051221944	TENSION SPRING RDI 22X101X1,5	15
155	1	1381216159	VENT END PLUG	12
157	1	1010721004	TRANSMISSION ASSEMBLY UK 333	55
160	1	1383700821	LEG	29
161	1	2010200787	ADJUSTABLE FOOT ASSEMBLY VERSTELLBAR	25
162	3	1391059264	Lamellar plug black	10
163	1	1383700830	LEG	30
180	1	1010720490	FENCE GUIDE EXTRUSIO	27
181	2	7005658068	WING NUT	12
182	1	1381698285	CLAMPING PAD UK333	12
183	1	1485701997	CAM BOLT	21
184	1	1485706620	HEXAGON FIT BOLT	18
185	1	6161183502	HEX. SOCKET SET SCREW, FLAT PT	10
186	2	7053063343	CUP SPRING	10
187	1	1382701930	ANGLE BRACKET	33
188	1	7016122305	STARLOCK	10
189	1	1142215949	ANGLE SCALE	22
190	1	1482215935	SHIM PLATE	25
191	1	1485215979	LOCK BOLT	15
192	2	7051148694	PRESSURE SPRING, MITRE FENCE	10
193	1	1383701968	Guide	30
194	1	1482216010	POINTER, MITRE FENCE	12
195	2	6172028215	Fillister head screw	10
196	1	1142708309	SCALE	18
197	1	2391202772	GLIDE PIECE	10

198	1	1380215981	LOCK PLATE	19
199	1	1380701983	CLAMPING PAD UK333	35
200	1	1380216031	CLAMPING LEVER	20
201	1	6161029120	HEX. SOCKET SET SCREW, FLAT PT	12
202	1	7006028653	RATCHET LOCK LEVER, FEMALE	19
203	6	141151340	Washer	10
204	1	7051207240	PRESSURE SPRING	10
205	1	6163198736	HEX. SOCKET SET SCREW, DOG PT.	15
206	1	1383696484	REMOVABLE TABLE SECTION	36
207	2	6264714948	CAGE NUT	12
208	1	1010707508	TABLE ASSEMBLY	62
209	4	1010710835	CORNER BRACKE	29
210	2	1385701663	GUIDE BAR	31
211	4	1380698222	PRISMENFUEHRUNG UK333	18
212	4	1482653304	FLAT BAR	12
213	8	141113910	Cap screw	12
214	1	1482711290	BUSHING 16X1,8X32 UK333	20
215	1	1482711282	Washer	14
216	1	6123612815	RAISED CHEESE HEAD SCREW	10
217	2	8242711301	CABLE BRACKET 19X19	12
218	1	1482712750	Chip deflector	22
219	1	1482712769	PRALLBLECH	18
220	1	0910063057	Universal FENCE	
222	2	6172001805	Fillister head screw w.fill. head screw	10
223	1	1341016980	SLEEVE, CABLE SUPPORT TYP 15-561	12
224	3	8216103930	TERMINAL BLOCK 2,5 mm² VDE 5VD4 301 /Nr.	10
225	2	141150120	Washer	10
226	1	6304084039	SERRATED LOCK WASHER	10
227	1	8242033664	STRAIN RELIEF	10
228	1	6121121296	HEXAGON SOCKET HEAD CAP SCREW	10



	Litzenfarben	Colour of strands	Couleur des cordons
BK	schwarz	black	noir
WH	weiß	white	blanc
BU	blau	blue	bleu
YE	gelb	yellow	jaune
RD	rot	red	rouge
TR	transparent	transparent	transparent
BN	braun	brown	brun
GY	grau	grey	gris
GNYE	grün-gelb	green-yellow	vert-jaune
BKWH	schwarz-weiß	black-white	noir-blanc
GN	grün	green	vert
OG	orange	orange	orange
VT	violett	violet	violet
TQ	türkis	turquoise	turquoise

	Bedeutung der Kurzzeichen	Meaning of the symbols	Interprétation des symboles
B	Stecker	plug	fiche
C	Kondensator	condenser	condensateur
D	Funkentstördrossel	interference suppression inductance	inductance d'antiparasitage
E	Elektronik-Baustein	electronic unit	unité électronique
I	Induktionsspule	induction coil	bobine d'inductance
K	Klemme	terminal	borne
L	Licht	light	lumière
M	Motor	motor	moteur
O	Überlastschutz	overload cut-out	déclencheur de surintensité
R	Drehrichtungsumschalter	reversing switch	commutateur droite-gauche
S	Schalter	switch	interrupteur
U	Umschalter	change-over switch	commutateur
X	Elektronik-Element	electronic element	élément électronique